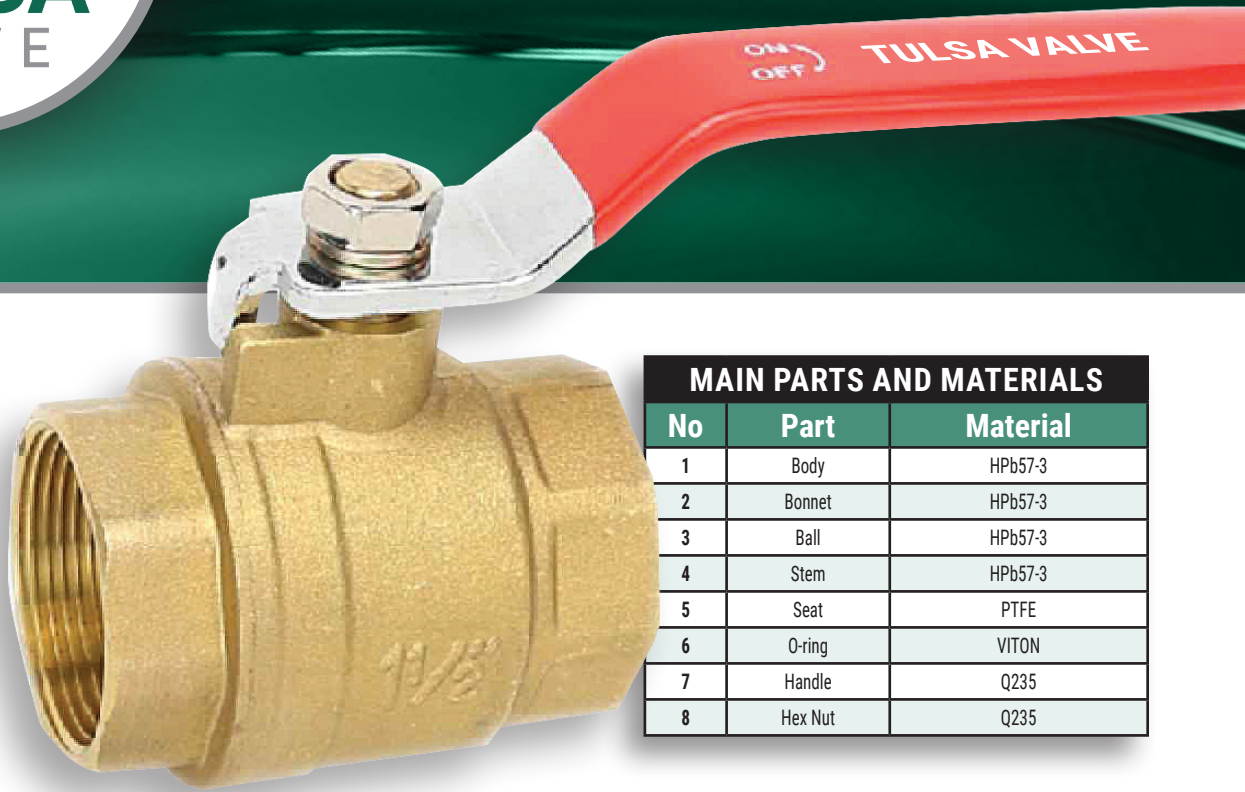




THREADED END BRASS BALL VALVE



MAIN PARAMETER SPECIFICATION

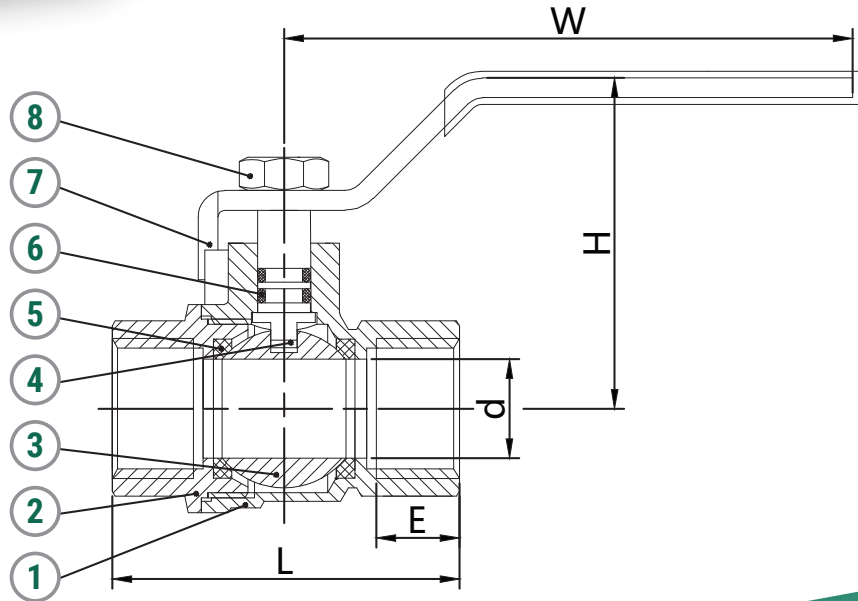
- Thread Standard: ANSI B1.20.1
- Pressure Test: API 598
- Rated to 600 PSI

MAIN PARTS AND MATERIALS		
No	Part	Material
1	Body	HPb57-3
2	Bonnet	HPb57-3
3	Ball	HPb57-3
4	Stem	HPb57-3
5	Seat	PTFE
6	O-ring	VITON
7	Handle	Q235
8	Hex Nut	Q235

ISO 9001:2000 Certified
Certificate No. C2007-01814



MATERIAL SPECIFICATIONS					
SIZE	d	L	E	W	H
1/4"	0.39	1.71	0.43	3.27	1.57
3/8"	0.39	1.71	0.43	3.27	1.57
1/2"	0.59	2.01	0.49	3.78	1.77
3/4"	0.75	2.22	0.51	3.78	1.99
1"	0.98	2.62	0.59	4.59	2.36
1 1/4"	1.24	3.13	0.65	4.74	2.68
1 1/2"	1.46	3.25	0.59	5.71	3.15
2"	1.77	3.84	0.71	5.71	3.44
2 1/2"	2.44	4.86	0.79	10.55	4.96
3"	2.87	5.63	0.96	10.55	5.28
4"	3.54	6.56	1.00	10.55	5.91



FIELD PROVEN VALVES PROVIDING YEARS OF COST EFFECTIVE, EFFICIENT, SAFE AND RELIABLE SERVICE.

TEL: (281) 909-3711 • WWW.TULSAVALVE.COM